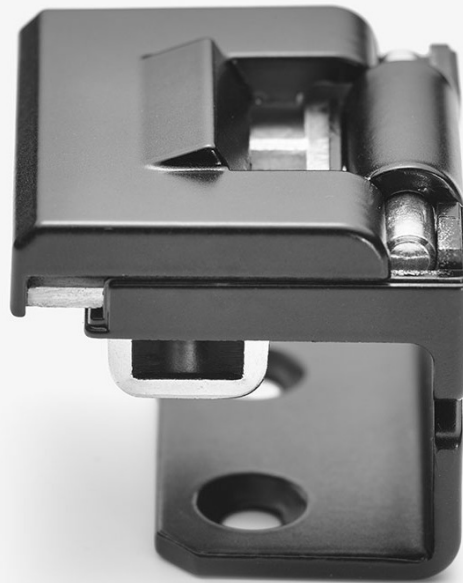


Remove doors easily and comfortably
with the new hinge for single cabinets



LAUNCH

01 Requirements

“Hinge solutions for industrial cabinet construction require a high flexibility in combination with stability and security during operation at the same time.

Therefore we developed a lift-off hinge with captive pin.”

Matthias Velten, Sales Area Manager



02 Product benefits

Our new hinge for easy and comfortable lift-off

Easy and comfortable

The new hinge simplifies the lift-off of doors due to the comfortable handling.

- Two-piece door-part: upper part with sliding-function
- Lift-off function

Secure and stable

The captivity of the pin leads to a secure use of the hinge.

- Pin remains captive in the frame-part
- Captive upper part locks audibly in place
- Visible indication of locking position
- Consious opening and closing
- The frame-part made of steel guarantees a good stability even with high door weights
- Fixing bracket for higher force distribution at the fixing

Variable

Common hole centre distance allows easy replacement in existing applications (e.g. dual hook for latches outside of the sealing).

- Fixing dimension of the frame-part 25mm
- For standard bendings
- Above all the hinge is used in sheet metal working industry, mainly in cabinet construction, as well as in 19"-cabinets and machine housings

03 Dimensions / Order options



- For surface mounted doors
- Hinge partly concealed
- Door bending 25mm
- RH / LH application
- 180° Opening angle
- Lift-off of the door by swiping the door part to the middle of the door
- Door-part clicks audible and visible in end position

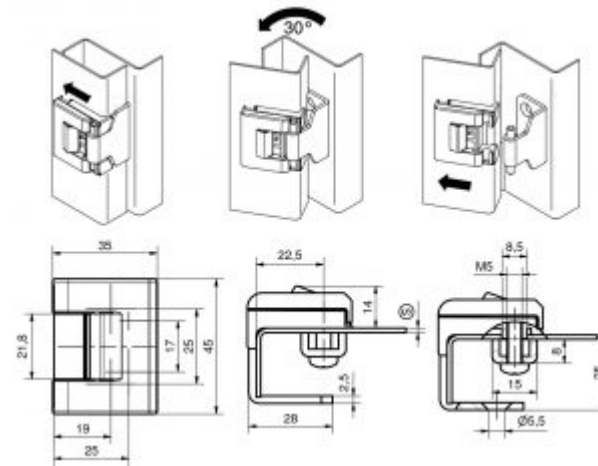
Material

Door-part: Zinc die, black

Frame-part: Steel, black

Bridge, screws, pin: Steel, zinc plated

Fastening screws for the door-part included.



Product system	Description	Pin version	Installation type	Part Number	Link
4-155	Hinge for single cabinet	captive	screw-on	212-9092.00-00000	

Contact



DIRAK GmbH –
A Member of DIRAK Group

DIRAK Dieter Ramsauer
Konstruktionselemente GmbH
Königsfelder Straße 1
58256 Ennepetal
Germany

Phone: +49 (0) 2333 / 837-0

Fax: +49 (0) 2333 / 837-103

Email: info@dirak.de

Imprint

DIRAK Dieter Ramsauer
Konstruktionselemente GmbH
Königsfelder Straße 1
58256 Ennepetal
Germany

Phone: +49 (0) 2333 / 837-0
Fax: +49 (0) 2333 / 837-103
Email: info@dirak.de

Represented by:
Florian Birkenmayer
Chairman of the Board of Directors:
Detlef Erlenbruch

Entered in the trade register
Commercial Register AG Hagen,
HRB 7977
Sales Tax ID Number (VAT No.)
DE 261 585 314
Last update: June 2014