

Bearing plate for our Swinghandle base for a
complete locking system



01 Requirements

“In order to make the features of our Swinghandle base available for an entire locking system, we have developed accessories that can be securely, quickly and variable integrated into your existing solution.

From now on, it is possible to use the Swinghandle base in connection with a bearing plate.”

Björn Eisbach, Product Manager



02 Bearing plate base

The new bearing plate for the Swinghandle base allows for easy pre-assembly.

- The rotation of the Swinghandle is limited (270°), such that it is impossible for the cam to be released from the bearing plate
- Engages in locking position at 90°

With the aid of the accessory parts, the Swinghandle base can be equipped versatilely to form a full-featured locking system.

Version 1:

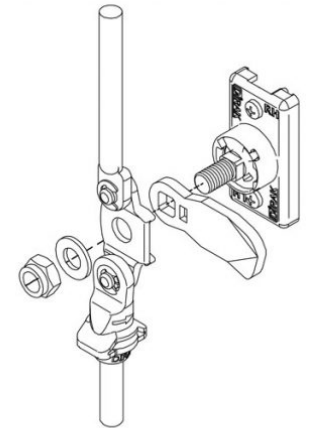
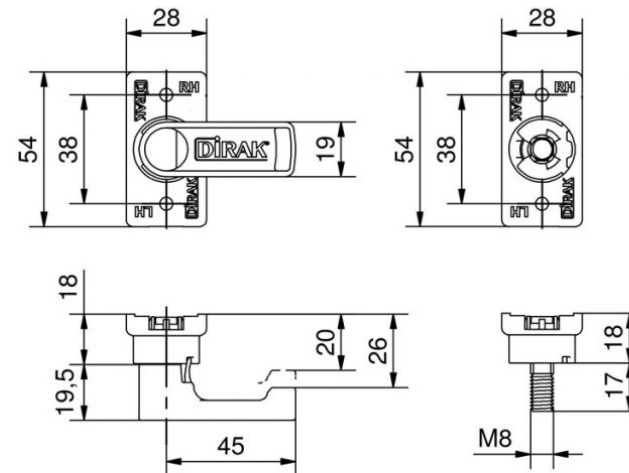
In this version, the PA cams H20 and H26 can be quickly connected with the bearing plate by means of a bayonet system.

Version 2:

Our adapter version with square and thread M8 enables the use of standard cams and multi-point cam adapters.



03 Dimensions / Order Options





3-440 Bearing plate RS base

- RH / LH application
- Independent of panel thickness from 0.5 to 3 mm
- Pre-installation onto swinghandle base by clip-on, final fastening by screws
- Single- or multi-point locking system

Version 1:




- Bearing plate with PA cam (H20 / H26) for swinghandle base
- Tool-less assembly of the cam by bayonet system, clicks in audible

Version 2:

- Bearing plate with adapter for standard cams and 3-point cam adapter
- Cams will be secured by self-securing nut M8 onto the square (max. bolting torque 4 Nm)

Material

Bearing plate and cam: PA, black Adapter: zinc die, untreated

Product system	Description	Part Number	Scope of supply	Link
3-440	Bearing plate with adapter	308-9006.00-00000	Fastening screws included	
	Bearing plate with PA cam H20	308-9007.00-00000	Fastening screws included	
	Bearing plate with PA cam H26	308-9008.00-00000	Fastening screws included	

04 Preview: Rod Latch Base

3-420 Rod Latch FS PrC base

The Rod latch base will be available in Q1/2017 and provides in combination with the Swinghandle base a securely lockable rod latch system.

We will keep you up to date about the progress of the development.



Contact



DIRAK GmbH –
A Member of DIRAK Group

DIRAK Dieter Ramsauer
Konstruktionselemente GmbH
Königsfelder Straße 1
58256 Ennepetal
Germany

Phone: +49 (0) 2333 / 837-0

Fax: +49 (0) 2333 / 837-103

Email: info@dirak.de

Imprint

DIRAK Dieter Ramsauer
Konstruktionselemente GmbH
Königsfelder Straße 1
58256 Ennepetal
Germany

Phone: +49 (0) 2333 / 837-0
Fax: +49 (0) 2333 / 837-103
Email: info@dirak.de

Represented by:
Florian Birkenmayer
Chairman of the Board of Directors:
Detlef Erlenbruch

Entered in the trade register
Commercial Register AG Hagen,
HRB 7977
Sales Tax ID Number (VAT No.)
DE 261 585 314
Last update: June 2014